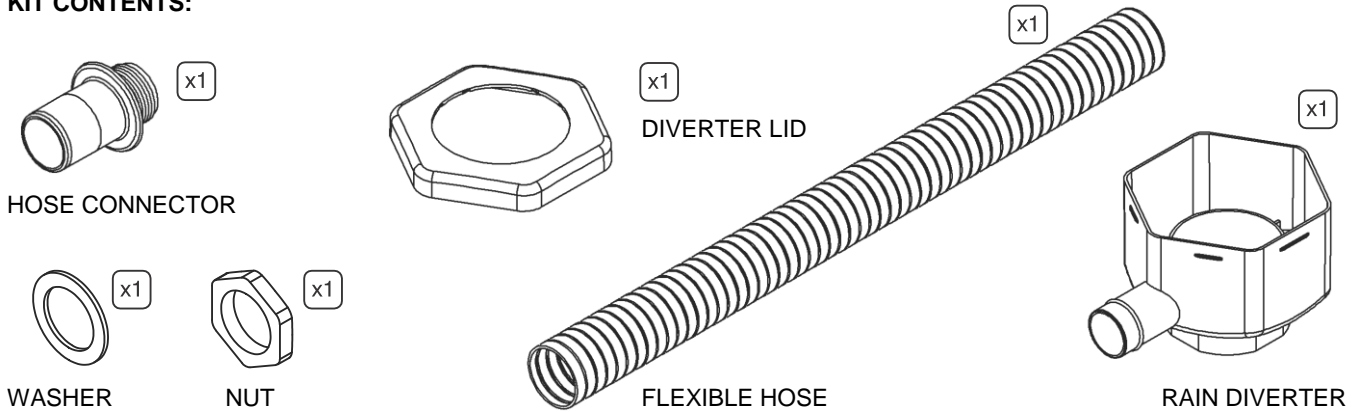


RAIN DIVERTER KIT – FITTING INSTRUCTIONS

KIT CONTENTS:



FITTING THE DIVERTER KIT:

1. SELECT WATERBUTT SIDE NEAREST TO DRAINPIPE AND DRILL A 26MM HOLE AT POSITION SHOWN IN **DIAGRAM 1**.
 2. FIT THE HOSE CONNECTOR THROUGH THE HOLE AND FIT WASHER & LOCKING NUT FROM INSIDE WATERBUTT.
 3. PLACE WATERBUTT ON STAND OR A FLAT SURFACE AND POSITION 350MM MAXIMUM FROM DRAINPIPE.
 4. MARK A LINE ON THE DRAINPIPE LEVEL WITH THE BOTTOM OF THE HOSE CONNECTOR (SEE **DIAGRAM 2**).
 5. MARK THE 2ND LINE 25MM ABOVE 1ST LINE (SEE **DIAGRAM 2**).
 6. USING A HACKSAW CUT THE DRAINPIPE AT THE 2 LINES AND REMOVE THE 25MM WASTE SECTION.
 7. LOOSEN LOWER DRAINPIPE CLAMPS AND SLIDE LOWER DRAINPIPE SECTION DOWNWARDS.
 8. FIT DIVERTER LID OVER UPPER DRAINPIPE SECTION AND FIT DIVERTER BODY.
- NOTE: FOR SQUARE DRAINPIPES, CAREFULLY CUT LID ALONG GROOVES WITH A SHARP KNIFE.**
9. SLIDE LOWER DRAINPIPE SECTION UPWARDS AROUND THE DIVERTER BODY AND TIGHTEN LOWER CLAMPS.
 10. SLIDE DIVERTER LID DOWNWARDS AND CLIP ONTO DIVERTER BODY.
 11. FIT FLEXIBLE HOSE TO THE DIVERTER AND HOSE CONNECTOR (SEE **DIAGRAM 3**).

